

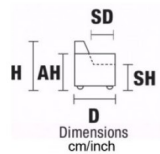
ROMA

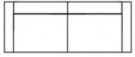
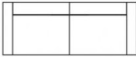
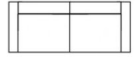
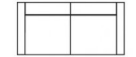
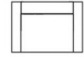



ROMA



	AB Altezza Braccio	A Altezza	A Altezza Seduta	AM Altezza Massima	P Profondità	P Profondità Seduta	PM Profondità Massima	L Larghezza
	AH Arm Height	H Height	SH Seat Height	MH Maximum Height	D Deep	SD Seat Depth	MD Maximum Deep	W Width



						
	W 228/91,2" D 93/37,2" H 83/33,2" AH 70/28" SH 42/16,8" SD 60/24"	W 198/79,2" D 93/37,2" H 83/33,2" AH 70/28" SH 42/16,8" SD 60/24"	W 178/71,2" D 93/37,2" H 83/33,2" AH 70/28" SH 42/16,8" SD 60/24"	W 158/62,2" D 93/37,2" H 83/33,2" AH 70/28" SH 42/16,8" SD 60/24"	W 108/42,3" D 93/37,2" H 83/33,2" AH 70/28" SH 42/16,8" SD 60/24"	W 90/35,4" D 70/27,6" SH 42/16,8"
VERSION CODE	V314	V300	V214	V200	V100	V600
DESCRIPTION	3 SEATER MAXI	3 SEATER	2 SEATER MAXI	2 SEATER	ARMCHAIR	FOOTSTOOL

ROMA

THICK STITCH: NOT AVAILABLE

STRUCTURE: fir wood, plywood covered with ecologic polyurethane foam
 SPRING SYSTEM: Elastic webbing

SEAT/BACK CUSHIONS: Ecologic polyurethane foam covered with a layer of polyester
 ARM INTERIOR: Siliconed poliester fibre

REMOVABILITY: Back and Seat cushions

MECHANISMS: N.A.

FOOT / BASE SERIES: Stainless Steel Feet

Some versions may be equipped with hidden feet with a supporting structural function.

The company reserves the faculty to make changing of technical details and/or materials for quality product improving without prior communication.